

EU-IVD Products



# It's Your Turn

Eppendorf Centrifuge 5702, 5702 R, and 5702 RH



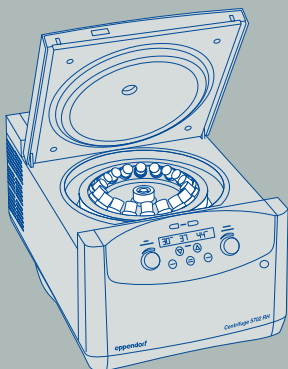
The Eppendorf approach to product development is – and has always been – about giving you more. More quality, more innovation. All of our centrifuges personalize this philosophy. They all go beyond speed and capacity to offer you unparalleled ergonomic operation, superior temperature control, and outstanding product quality.

# »Eppendorf Centrifuges – The Benchmark in Ergonomic Operation.«

The Centrifuge 5702 family was specifically developed for low to medium throughput applications with low speed requirements.

## Ergonomics

- > Very compact footprint to fit on every lab bench
- > Very quiet operation to benefit your environment
- > Low access height for simple loading and unloading of samples



## Temperature management

- > Optimized air flow minimizes sample warming during run (5702)
- > FastTemp function for fast precooling (5702 R/RH)
- > ECO shut-off engages after 8 hours of nonuse to reduce energy consumption and extend compressor life (5702 R/RH)



## Quality and safety

- > Stainless steel rotor chamber is rust-free and easy to clean
- > Imbalance detection for maximum safety
- > Key lock to prevent accidental parameter changes
- > Aerosol-tight caps for safe centrifugation of hazardous samples optionally available



# Product Benefits



**Ergonomic lid operation**

- > Soft-touch lid closure and low opening height for stress-free lid locking

**Optimized cooling performance**

- > Dynamic compressor control with ECO shut-off function (refrigerated models only)

**Quiet operation**

- > All models are designed to operate at low noise levels for a relaxing work environment

**Low access height**

- > Easy loading/unloading of samples

**The right model for your application:**

- > Centrifuge 5702 for standard applications
- > Refrigerated Centrifuge 5702 R for heat sensitive samples
- > Active heating guarantees high temperature accuracy during the entire centrifugation cycle (only 5702 RH)

**Product features**















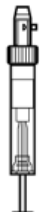

- > Max. speed: 3,052 × *g* (4,400 rpm)
- > Very compact footprint to fit on every lab bench
- > Very quiet operation to benefit your environment
- > Low access height for simple loading and unloading of samples
- > SOFT brake function for slow acceleration and braking. Optimized for cell separation by gradient centrifugation
- > »At set RPM« function starts the timer when the selected rotational speed is reached for reproducible centrifugation runs
- > Key lock to prevent unintentional adjustments
- > Electronic imbalance detection for maximum safety
- > Spin 16 x 125 mm round bottom tubes in dedicated buckets
- > Timer function for protocols with incubation time

**Special features for Centrifuge 5702 R and Centrifuge 5702 RH**

- > Temperature settings from –9 °C to 40 °C (5702 R) / 42 °C (5702 RH)
- > FastTemp function for fast precooling
- > Continuous cooling maintains a constant temperature after the run has been completed – your samples stay cool
- > ECO shut-off engages after 8 hours of nonuse to reduce energy consumption and extend compressor life
- > Two program keys to store routine settings
- > Active heating guarantees high temperature accuracy during the entire centrifugation cycle (only 5702 RH)

\* The Centrifuge 5702/5702 R/5702 RH is a non-automatic centrifuge for the separation of liquid substance mixtures from the human body and is specifically intended to be used as an accessory together with an in vitro diagnostic device and to enable its use according to its intended purpose. This product complies with the requirements of the EU In Vitro Diagnostics Regulation (IVDR) 2017/746. Eppendorf centrifuges are exclusively intended for indoor use by trained specialists.

# Consumable Compatibility

Centrifuge 5702/R/RH		Rotor A-4-38	Round bucket					Rectangular bucket				16 x 125 mm bucket	
													
			5702 737 003	5702 719 005	5702 735 000	5702 724 009	5702 723 002	5702 763 004	5702 710 008	5702 711 004	5702 712 000	5702 764 000	
Tube type	 BD Vacutainer®	Microtainer®	16*	16*	–	–	–	36*	40*	–	–	–	
		1.8 – 4.8 mL (13 x 75 mm)	16	16	–	–	–	–	–	–	–	–	–
		4.0 – 7.0 mL (13 x 100 mm)	16	16	–	–	–	–	40	32	–	–	–
		8.0 – 11.0 mL (16 x 100 mm)	–	–	16	16	–	–	–	–	–	24	–
		CPT™ 4.0 mL (13 x 100 mm)	16	16	–	–	–	–	40	–	–	–	–
		CPT™ 8.0 mL (16 x 125 mm)	–	–	–	–	–	–	–	–	–	–	4
	 Greiner Vacuette®	MiniCollect®	16	16	–	–	–	36*	40*	–	–	–	–
		0.9 – 4.0 mL (13 x 75 mm)	16	16	–	–	–	–	40	–	–	–	–
		3.5 – 6.0 mL (13 x 100 mm)	16	16	–	–	–	–	40	–	–	–	–
		6.0 – 10.0 mL (16 x 100 mm)	–	–	16	16	–	–	–	–	–	24	–
	 Sarstedt Monovette®	1.6 – 4.0 mL (ø 11/13 mm)	16	–	–	–	8	36**	–	–	–	–	–
		4.0 – 5.0 mL (ø 11 mm)	16	–	–	–	–	36	–	–	–	–	–
		4.0 – 10.0 mL (ø 13 mm)	–	16	–	–	–	–	20	32	–	–	–
		4.0 – 10.0 mL (ø 15 mm)	–	–	16	16	–	–	–	–	–	24	–
	 Streck Blood Collection Tube	5.0 mL (13 x 75 mm)	16	16	–	–	–	–	40	–	–	–	–
10.0 mL (16 x 100 mm)		–	–	16	16	8	–	–	–	–	24	–	






\* Manufacturer adapter needed

\*\* Only fits 11 mm diameter tubes



## Bucket for 16 x 125 mm round bottom tubes

- > 16 x 125 mm bucket (5702 764 000 set of 4)
- > Maximum speed: 3,000 × g
- > For 16 x 125 mm round bottom tubes (non-aerosol-tight), 8 mL BD Vacutainer® CPT™ vessels
- > Rubber mat inserts (round) included (5702 764 019, set of 4)

Centrifuge 5702/R/RH		Rotor A-4-38	Round bucket					Rectangular bucket				16 x 125 mm bucket
			5702 737 003	5702 719 005	5702 735 000	5702 724 009	5702 723 002	5702 763 004	5702 710 008	5702 711 004	5702 712 000	5702 764 000
Vessel type	BD Vacutainer® 	4.0 – 6.0 mL (ø 13 mm)	20	16	–	–	–	36	–	–	–	–
		8.0 – 11.0 mL (ø 16 mm)	–	–	16	16	–	–	–	–	24	–
		8.0 – 9.5 mL (conical, ø 16 mm)	–	–	–	–	8	–	–	–	24	–
	Greiner Vacuette® 	4.0 mL (ø 13 mm)	16	16	–	–	–	–	40	–	–	–
		6.0 – 10.0 mL (ø 16 mm)	–	–	16	16	–	–	–	–	24	–
	Sarstedt Monovette® 	3.2 – 6.0 mL (ø 13 mm)	16	16	–	–	–	–	40	–	–	–
8.5 – 10.0 mL (ø 15 mm)		–	–	16	16	–	–	–	–	32	24	–
Conical Tube 	15.0 mL (ø 17.2 mm)	–	–	–	–	8	–	–	–	–	–	
Round Bottom Tube 	15.0 mL (ø 17.5 mm)	–	–	–	–	–	–	–	–	24***	–	

\*\*\* Capacity based on cap size, varying cap sizes may affect tube capacity due to steric hindrance.

### Centrifuge Service and Extended Warranty Agreements

An annual inspection and maintenance of centrifuges and rotors by an Eppendorf certified service technician is highly recommended to ensure a safe working environment and consistent instrument performance.

### Qualification Services

Installation Qualification (IQ) and Operational Qualification (OQ) services make sure that temperature accuracy, rotational speed and operating time meet manufacturer's specifications.




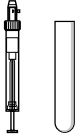
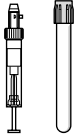
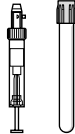


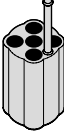
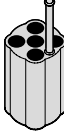
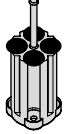
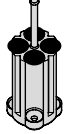

For further information on services from cost-efficient to all-inclusive care packages offered in your area, please visit:

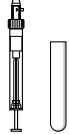
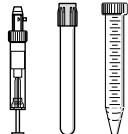




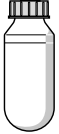
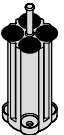
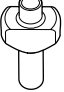
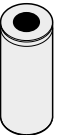
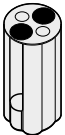
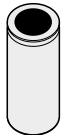
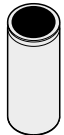
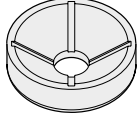
[www.eppendorf.link/service](http://www.eppendorf.link/service)



# Swing-Bucket Rotor A-4-38

## Rotor A-4-38 with round buckets

						
<b>Volume (mL)</b>	1.5–2.0	1.1–1.4	2–7	2.6–7	4–10	Eppendorf Tubes® 5.0 mL
<b>Max. tube diameter</b>	11 mm	8.5 mm	12.5 mm	13.5 mm	16 mm	–
<b>Max. vessel height</b>	43 mm	100 mm	100 mm	100 mm	100 mm	60 mm
<b>Max. vessel height for use with cap<sup>1)</sup></b>	43 mm	100 mm	100 mm	100 mm	100 mm	60 mm
<b>Adapter</b>						
<b>Number of vessels per adapter/rotor</b>	4/16	5/20	5/20	4/16	4/16	1/4
<b>Bottom shape</b>	round	flat	flat	flat	flat	flat
<b>Centrifugation radius</b>	134 mm	132 mm	132 mm	132 mm	132 mm	136 mm
<b>Max. RCF</b>	2,900 × <i>g</i>	2,850 × <i>g</i>	2,850 × <i>g</i>	2,850 × <i>g</i>	2,850 × <i>g</i>	2,943 × <i>g</i>
<b>Order no. (set of 2)</b>	5702 745 006	5702 736 007	5702 737 003	5702 719 005	5702 735 000	5702 733 008

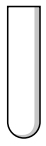
							
<b>Volume (mL)</b>	9–15	8 mL	15 mL conical	15 mL conical	25	50 mL conical	85–100 <sup>2)</sup>
<b>Max. tube diameter</b>	17.5 mm	16 mm	17.2 mm	17.2 mm	25 mm	30 mm	38 mm
<b>Max. vessel height</b>	100 mm	130 mm	121 mm	121 mm	100 mm	115 mm	106 mm
<b>Max. vessel height for use with cap<sup>1)</sup></b>	100 mm	–	120 mm	–	100 mm	115 mm	106 mm
<b>Adapter</b>							
<b>Number of vessels per adapter/rotor</b>	4/16	1/4	1/4	2/8	1/4	1/4	1/4
<b>Bottom shape</b>	round	round	conical	conical	round	conical	round
<b>Centrifugation radius</b>	130 mm	141 mm	137 mm	137 mm	135 mm	135 mm	135 mm
<b>Max. RCF</b>	2,800 × <i>g</i>	3,052 × <i>g</i>	3,000 × <i>g</i>	3,000 × <i>g</i>	2,900 × <i>g</i>	2,900 × <i>g</i>	2,900 × <i>g</i>
<b>Order no. (set of 2)</b>	5702 724 009	5702 764 000	5702 732 001	5702 723 002	5702 717 002	5702 734 004	5702 718 009






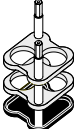
<sup>1)</sup> Exceeding the maximum tube length may reduce the loading capacity of the rotor. Please perform a manual swing-out test before starting the centrifuge run to make sure the tubes do not hit the rotor yoke.

<sup>2)</sup> Nominal tube volume as published by tube manufacturers.



## Rotor A-4-38 with rectangular buckets



Volume (mL)	2-7	5-7	9	15	20	25
Max. tube diameter	12 mm	13 mm	14.5 mm	17.5 mm	22 mm	25 mm
Adapter						
Number of vessels per adapter/rotor	9/36	10/40	8/32	6/24	4/16	2/8
Bottom shape	round	flat	flat	flat	flat	flat
Centrifugation radius	119 mm	127 mm	127 mm	127 mm	127 mm	127 mm
Max. RCF	$2,577 \times g$	$2,750 \times g$	$2,750 \times g$	$2,750 \times g$	$2,750 \times g$	$2,750 \times g$
Order no. (set of 2)	5702 763 004	5702 710 008	5702 711 004	5702 712 000	5702 713 007	5702 716 006

### Rotor A-4-38 with round buckets

- > Maximum speed:  $3,052 \times g$  (4,400 rpm)
- > Standard rotor for centrifugation of blood collection tubes or 15/50 mL conical tubes
- > Round buckets for vessels with 1.5–100 mL
- > Aerosol-tight caps for safe centrifugation of hazardous samples optionally available

#### Ordering information

Description	Order no.
<b>Rotor A-4-38</b>	
incl. 4 round buckets 100 mL	5702 720 003
<b>Round bucket 100 mL</b> , for Rotor A-4-38, set of 4	5702 722 006
<b>Round bucket 16 x 125 mm</b> , for 16 x 125 mm, round bottom tubes, non aerosol-tight, for rotor A-4-38, 4 pcs.	5702 764 000
<b>Aerosol-tight caps for 100 mL round buckets</b> , set of 2	5702 721 000

### Rotor A-4-38 with rectangular buckets

- > Maximum speed:  $2,750 \times g$  (4,400 rpm)
- > Rectangular buckets for vessels with 5–25 mL

#### Ordering information

Description	Order no.
<b>Rotor A-4-38</b> , without buckets	5702 740 004
<b>Rectangular bucket 90 mL</b> , for Rotor A-4-38, set of 4	5702 709 000



**Rotor A-8-17 (5702 700 002)**

- > Maximum speed:  $2,800 \times g$  (4,400 rpm)
- > Low capacity rotor for centrifugation of 15 mL conical tubes or 15 mL glass tubes
- > Adapters for 15 mL conical tubes (5702 702 005, set of 8) and rubber mat inserts (5702 701 009, set of 8) for glass tubes optionally available



**Rotor F-45-24-11 (5702 746 002)**

- > Maximum speed:  $1,770 \times g$  (4,400 rpm)
- > Fixed-angle rotor for 24  $\times$  1.5/2.0 mL tubes
- > Quiet centrifugation even without rotor lid
- > Adapters optionally available for:
  - 0.2 mL PCR tubes (5425 715 005)
  - 0.4 mL centrifuge tubes (5425 717 008)
  - 0.5 mL micro test tubes and Microtainer® tubes (5425 716 001)
- > Rotor and adapters are autoclavable (121 °C, 20 min)



**Rotor F-35-30-17**

- > Maximum speed:  $2,750 \times g$  (4,400 rpm)
- > High capacity rotor for 20  $\times$  15 mL conical tubes or 30  $\times$  15 mL glass tubes
- > Inserts for 15 mL conical tubes and rubber mats for use with glass tubes are included
- > Available with 30 sleeves for 15 mL tubes, with 20 conical adapters and 30 rubber mats (5702 704 008) or with 10 steel sleeves for 15 mL conical tubes, incl. 10 conical adapters and 10 rubber mats (5702 705 004)



**Rotor F-45-18-17-Cryo (5702 747 009)**

- > Maximum speed:  $1,840 \times g$  (4,400 rpm)
- > Quiet centrifugation even without rotor lid
- > Centrifugation of 1–2 mL Cryotube® (max. 13 mm Ø, use with adapter) and tubes with screw cap (max. 17 mm Ø, no adapter required)
- > Rotor and adapters are autoclavable (121 °C, 20 min)

## Technical specifications

Model	Centrifuge 5702	Centrifuge 5702 R	Centrifuge 5702 RH
Max. RCF	3,000 × g	3,000 × g	3,000 × g
Speed	100–4,400 rpm (100 rpm increments)	100–4,400 rpm (100 rpm increments)	100–4,400 rpm (100 rpm increments)
Max. capacity	4 × 100 mL	4 × 100 mL	4 × 100 mL
Rotors available	6	6	6
Acceleration time	25 s	25 s	25 s
Deceleration time	25 s	25 s	25 s
SOFT brake function	yes	yes	yes
Timer	0–99 min, with continuous run function	0–99 min, with continuous run function	0–99 min, with continuous run function
Temperature settings	–	–9 °C to 40 °C	–9 °C to 42 °C
Noise level	<51 dB(A) with Rotor A-4-38	<45 dB(A) with Rotor A-4-38	<45 dB(A) with Rotor A-4-38
Max. power consumption	200 W	380 W	380 W
Dimensions (W × D × H)	32 × 40 × 24 cm	38 × 58 × 26 cm	38 × 58 × 26 cm
Height (with open lid)	53 cm	60 cm	60 cm
Weight without rotor	20 kg	36 kg	36 kg

## Ordering information

Description	Order no.
Centrifuge 5702, without rotor, 230 V/50–60 Hz	5702 000 019
Centrifuge 5702, with Rotor A-4-38 incl. adapters for 15/50 mL conical tubes, 230 V/50–60 Hz	5702 000 329
Centrifuge 5702 R, refrigerated, without rotor, 230 V/50–60 Hz	5703 000 012
Centrifuge 5702 R, refrigerated, with Rotor A-4-38 incl. adapters for 15/50 mL conical tubes, 230 V/50–60 Hz	5703 000 420
Centrifuge 5702 R, refrigerated, with Rotor A-4-38 incl. adapters for 13/16 mm blood collection tubes, 230 V/50–60 Hz	5703 000 322
Centrifuge 5702 RH, refrigerated/heated, without rotor, 230 V/50–60 Hz	5704 000 016



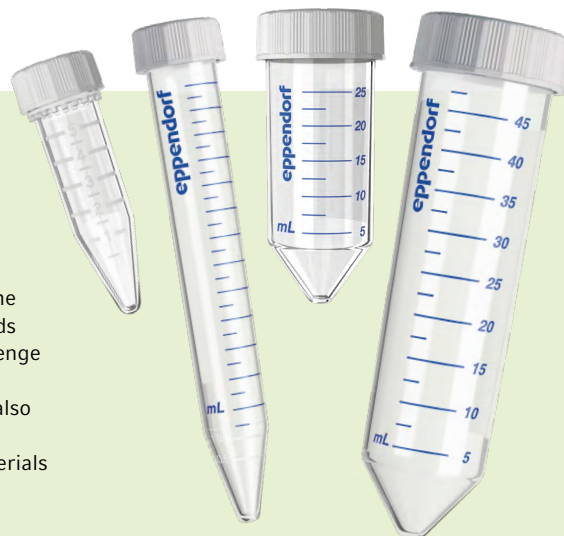
## Get to Know the Eppendorf Tubes® BioBased

Since oil-based plastic lab consumables replaced glass products, they have become irreplaceable in laboratories around the world, providing the high quality standards needed in increasingly demanding research. However, this poses a growing challenge in respect to sustainability.

This is why Eppendorf not only focuses on the development of new products but also on new, more environmentally friendly manufacturing materials.

We have even succeeded in finding a polypropylene based on renewable raw materials which we are now using for the production of new generations of tubes.

Eppendorf Tubes® BioBased Sterile, pyrogen-, DNase-, RNase- and DNA-free, are available with screw cap in volumes 5 mL, 15 mL, 25 mL and 50 mL.












Want to learn more go to:  
[www.eppendorf.com/biobased](http://www.eppendorf.com/biobased)







# Centrifuge Family Overview





## Eppendorf Microcentrifuges

									
<b>Centrifuge</b>	<b>MiniSpin®</b>	<b>MiniSpin® plus</b>	<b>5418 R</b>	<b>5420</b>	<b>5425</b>	<b>5425 R</b>	<b>5427 R</b>	<b>5430</b>	<b>5430 R</b>
<b>Description</b>	Space saving 12-place mini-centrifuge	Space saving 12-place mini-centrifuge	18-place microcentrifuge	Air-cooled 24-place microcentrifuge for basic molecular biology applications	Whisper quiet 24-place standard microcentrifuge with outstanding feature set for broad range of applications, refrigerated for temperature sensitive samples or non-refrigerated	Whisper quiet 24-place standard microcentrifuge with outstanding feature set for broad range of applications, refrigerated for temperature sensitive samples or non-refrigerated	High-throughput 48-place microcentrifuge, refrigerated (natural refrigerant (R290)) for temperature sensitive samples	Crossover microcentrifuge with multipurpose versatility	Crossover microcentrifuge with multipurpose versatility

## Eppendorf Multipurpose Centrifuges

									
<b>Centrifuge</b>	<b>5702</b>	<b>5702 R</b>	<b>5702 RH</b>	<b>5804</b>	<b>5804 R</b>	<b>5810</b>	<b>5810 R</b>	<b>5910 Ri</b>	<b>5920 R</b>
<b>Description</b>	Low speed multipurpose centrifuge with medium capacity for clinical research and cell culture labs	Low speed multipurpose centrifuge with medium capacity for clinical research and cell culture labs	Low speed multipurpose centrifuge with medium capacity for clinical research and cell culture labs	High speed multipurpose centrifuge with medium capacity	High speed multipurpose centrifuge with medium capacity	Compact multipurpose centrifuge with medium capacity	Compact multipurpose centrifuge with medium capacity	Super versatile multipurpose centrifuge with an intuitive touch screen user interface and high capacity for a broad range of consumables, refrigerated for temperature sensitive samples	High-throughput multipurpose centrifuge with very high capacity

## High-Speed Centrifuges

					
<b>Centrifuge</b>	<b>CR22N</b>	<b>CR30NX</b>	<b>CP100NX; CP90NX; CP80NX</b>	<b>CS150FNX</b>	<b>CS150NX</b>
<b>Description</b>	High-speed floorstanding centrifuge with high capacity, ideal for harvesting of biomass in up to 6 L per run. Refrigerated for temperature sensitive samples	2-in-1 high-speed floorstanding centrifuge with vacuum function, suitable for applications with super-speed requirements up to 110,000 x g. Refrigerated for temperature sensitive samples	Ultracentrifuge with a broad rotor and consumable portfolio. Three versions with shared functionality but different speed offerings are available to match your speed requirements	Floorstanding Micro-ultracentrifuge with speeds of up to 1,050,000 x g in a very compact design for labs with limited space availability	Benchtop Micro-ultracentrifuge with speeds of up to 1,050,000 x g, offering a flexible placement within the lab due the standard electricity requirements

Technical specifications subject to change. Errors and omissions excepted.

**Your local distributor: [www.eppendorf.com/contact](http://www.eppendorf.com/contact)**  
 Eppendorf SE · Barkhausenweg 1 · 22339 Hamburg · Germany  
[eppendorf@eppendorf.com](mailto:eppendorf@eppendorf.com) · [www.eppendorf.com](http://www.eppendorf.com)

**For ordering information, please check our local website**  
 or contact your local sales representative.



[www.eppendorf.link/centrifugation](http://www.eppendorf.link/centrifugation)

Microtainer® and Vacutainer® are registered trademarks of Becton Dickinson and Company Corporation, USA. Cryotube® is a registered trademark of Nunc A/S, DK. CPT™ is a trademark of Becton, Dickinson and Company, USA. MiniCollect® and Vacuette® are registered trademarks of Greiner Bio-one GmbH, Germany. Monovette® is a registered trademark of Sarstedt Inc, Germany. Eppendorf®, the Eppendorf Brand Design, Eppendorf Tubes® and MiniSpin® are registered trademarks of Eppendorf SE. All rights reserved, including graphics and images. Order no. A570 212 021/IVD/EN6/PDF/0424/MCP. Copyright © 2024 by Eppendorf SE.